



▣ VALVE

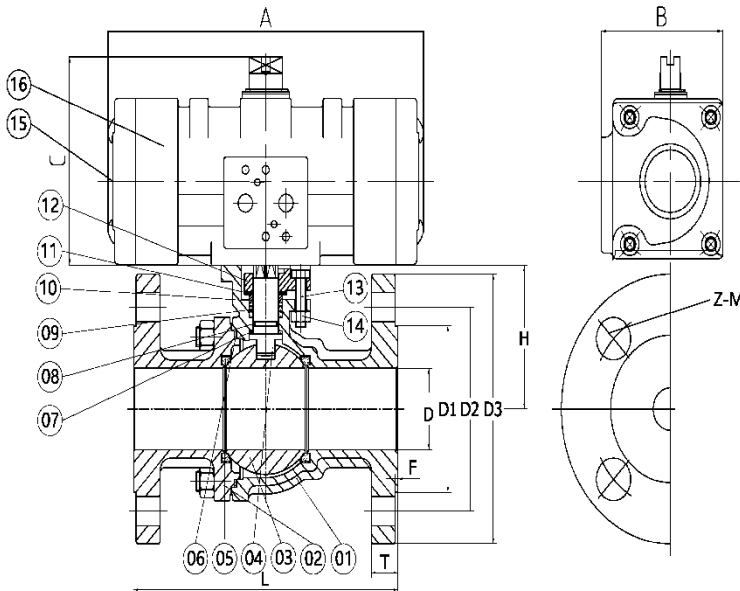
- ▷ Working Pressure : 10kg/cm²
- ▷ Max Temperature : 80 °C
- ▷ Ball : Full bore
- ▷ Material : JIS G5121 - SCS13
JIS G5121 - SCS14
- ▷ ISO5211 Direct mounting pad
- ▷ Investment casting body & end cap

▣ OPTION

- ▷ Fire safe design

▣ ACTUATOR

- ▷ Double Acting
- ▷ Spring Return
- ▷ Accessories :
 - + Solenoid valve with Neon lamp(IP65)
 - + Limit switch box(Weather, Explosion proof)
 - + Air Filter regulator unit
 - + Speed controller
 - + Silencer
 - + One touch fitting



NO	PARTS NAME	METERIAL
1	BODY	CF8/CF8M
2	CAP	CF8/CF8M
3	BALL	SUS304/SUS316
4	STEM	SUS304/SUS316
5	SEAT	RPTFE
6	GASKET	RPTFE
7	THRUST WASHER	RPTFE
8	STEM O-RING	VITON
9	PACKING	RPTFE
10	METAL RING	CF8
11	BELLEVILLE WASHER	CF8
12	GLAND	CF8
13	BOLT	SUS304
14	NUT	SUS304
15	COVER	ADC12 / NYLONGLASS30%
16	CAP	ADC12

Valve size	D	L	H	D1	D2	D3	T	F	Z-M	A	B	C
15A	15	108	48	51	70	95	12	1	4-Ø15	107.3	60	73.7
20A	20	117	62	56	75	100	14	1	4-Ø15	138	72	86
25A	25	127	64	67	90	125	14	1	4-Ø19	138	72	86
32A	32	140	71	76	100	135	16	2	4-Ø19	187	90	100
40A	38	165	76	81	105	140	16	2	4-Ø19	187	90	100
50A	50	178	84.5	92	120	154	16	2	4-Ø15	187	90	100
65A	64	190	106.8	105	140	175	18	2	4-Ø17	265	106	125

품질향상을 위하여 사전 예고없이 사양이 변경 될 수 있습니다.