



▣ VALVE

- ▷ Working Pressure : 5kg/cm<sup>2</sup>
- ▷ Max Temperature : 80℃
- ▷ Ball : Full port
- ▷ Material : ASTM A351 - CF8(1.4308)  
ASTM A351 - CF8M(1.4408)
- ▷ End connection : Ferrule(clamp)
- ▷ ISO5211 Direct mounting pad
- ▷ Investment casting body & end cap

▣ OPTION

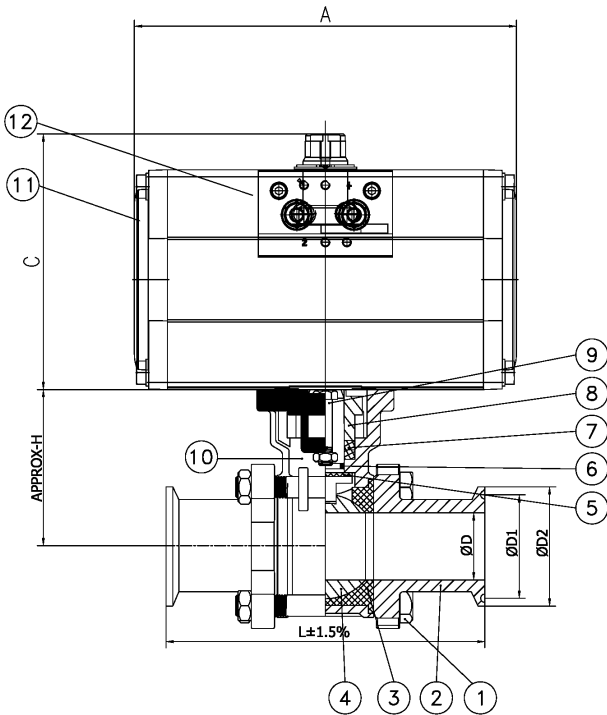
- ▷ Fire safe design

▣ ACTUATOR

- ▷ Double Acting
- ▷ Spring Return

▣ Accessories :

- ▷ Solenoid valve with Neon lamp(IP65)
- ▷ Limit switch box(Weather, Explosion proof)
- ▷ Air Filter regulator unit
- ▷ Speed controller
- ▷ Silencer
- ▷ One touch fitting



NO	PARTS NAME	MATERIAL
1	BOLT	SUS304
1	ELASTIC GASKET	SUS304
1	NUT	SUS304
2	END CAP	CF8/CF8M
3	SEAT	PTFE
4	BALL	SUS304/SUS316
5	THRUST WASHER	PTFE
6	O-RING	VITON
7	PACKING	PTFE
8	GLAND	CF8
9	BOLT	SUS304
9	NUT	SUS304
10	BODY	CF8/CF8M
11	COVER	ALUMINUM ALLOY
12	ACTUATOR BODY	ALUMINUM ALLOY

SIZE		D±0.5	L	H	C	A	D1	D2
DN	INCH							
15	1/2"	15	96	48.5	100	133.3	43.6	50.4
25	1"	22.1	111	58.5	112	151.4	43.6	50.4
40	1-1/2"	34.8	141	76	130	189.3	43.6	50.4
50	2"	47.5	158	83.5	130	189.3	56.3	63.9
65	2-1/2"					(금형 개선중)		
80	3"	72.9	201	118	154	230.9	83.3	90.9
100	4"	98	283	138	214	374.2	110.3	118.9

품질향상을 위하여 사전 예고없이 사양이 변경 될 수 있습니다.