

VALVE POSITION MONITORING

LIMIT SWITCH BOX

ITS200

CE



IP67 WEATHER PROOF
INDUSTRIAL VALVE
POSITION (OPEN/CLOSE)
MONITORING SWITCH



WEATHER PROOF POSITION MONITORING SWITCHES **ITS200**



ITS200 is simply and basically a rotary position indication device that is designed for NAMUR rotary pneumatic actuator to operate industrial valves such as butterfly valve and ball valve.

Its unique and compact design is helpful to reduce installation space and suitable especially for small size pneumatic actuator and valve.

ITS200 provides simplicity and compatibility as well as high performance for user's convenience in ever-changing industrial environment.

STANDARD SPECIFICATIONS

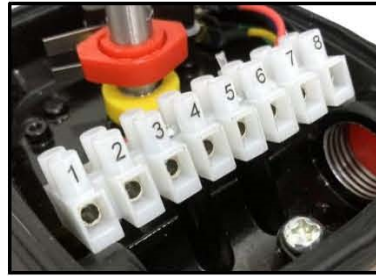
Enclosure	Weather proof IP67 / O-ring sealed
Coating	Epoxy-Polyester inside/outside against for corrosion
Ambient Temperature	-20°C to +80°C
Cable Entries	2-PT 1/2
Terminal Block	8 Terminal Strips (6 for switches 2 for solenoid valve power)
Position Indicator	Dome Type (0° - 90°)
Mounting Bracket	Stainless Steel (VDI/VDE3845, NAMUR)
Switches	2x SPDT Mechanical Switches (Omron)

STANDARD FEATURES



EASY-TO-SET CAM

Easy and precise cam setting is possible without any tools.
Red Cam: CLOSE
Yellow Cam: OPEN



TERMINAL BLOCK AND STRIPS

Socket type terminal strips with screws



VISUAL POSITION INDICATOR

Directly engaged with driving shaft to provide continuous position
Rigid, Durable, Transparent Poly Carbonate with Chemical Resistance

Red: CLOSE
Yellow: OPEN



CAPTIVE COVER BOLTS

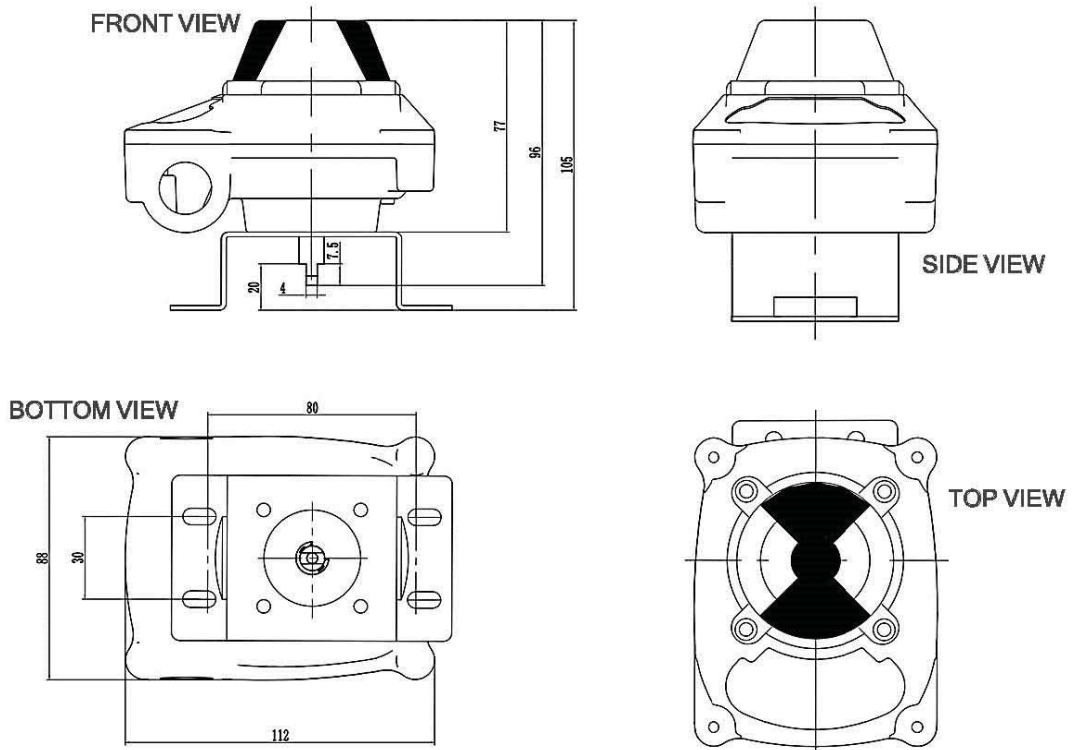
Not to be lost while opening the top cover for wiring or maintenance in the spot/plant

STAINLESS STEEL MOUNTING BRACKET

VDI/VDE3845
NAMUR



DIMENSIONS



WEATHER PROOF POSITION MONITORING SWITCH **ITS200**

2-SPDT MECHANICAL SWITCHES

Rating: 16A 1/2HP 125/250V AC

0.6A 125V DC

0.3A 250V DC

OMRON
approved by UL, CSA



WIRING DIAGRAM

